



Installation

Model specific instructions

For:

- **Ducati Monster 620 + 620S**
- **Ducati Monster 695**
- **Ducati Monster 800 + 800S**
- **Ducati Monster 800 S2R**
- **Ducati Monster 1000 + 1000S**
- **Ducati Monster S4R + S4RS**

These instructions are a model specific add-on to the general BoosterPlug installation instructions.

The general BoosterPlug installation instructions can be found in the "Downloads" section on the BoosterPlug.com website:

<http://www.boosterplug.com/shop/cms-downloads.html>

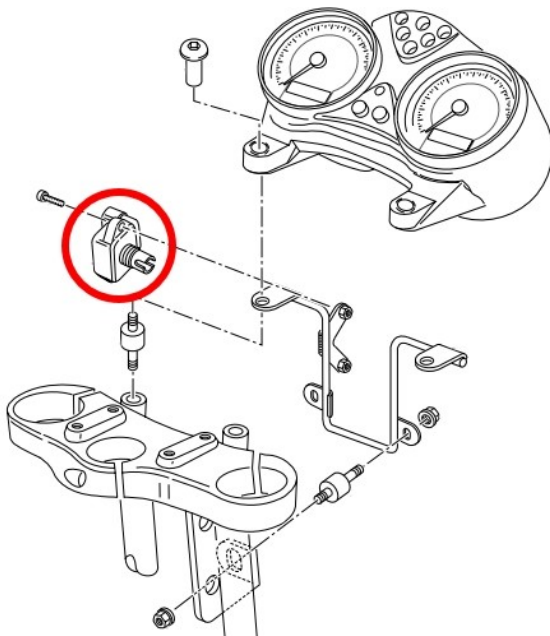
Installation Tips

- The pictures below should help you locate the AIT sensor where the BoosterPlug is installed.
- Install the BoosterPlug module as per the general installation papers.
- The AIT sensor is located behind the head light and below the dashboard.
 - The External sensor on the BoosterPlug is already in the right spot, so just secure it with a zip-tie so it's not flopping around.

Pictures

For:

- **Monster 620 + 620S + 800 + 800S**
- **Monster 800 S2R**
- **Monster 1000 + 1000S**
- **Early Monster S4R (2003-2006)**



For:

- **Monster 695**
- **Monster S4R Testastretta (2007-2008)**
- **Monster S4RS Testastretta (2006-2008)**

