



# Installation

Model specific instructions

For Harley Davidson Touring models  
(From 2007 to 2016)

- **FLHX** Street Glide
- **FLHXS** Street Glide Special
- **FLTR** Road Glide
- **FLTRX** Road Glide Custom
- **FLTRU** Road Glide Ultra
- **FLTRXS** Road Glide Special
- **FLHR** Road King
- **FLHRS** Road King Custom
- **FLHRC** Road King Classic
- **FLHT** Electra Glide Standard
- **FLHTK** Electra Glide Ultra Limited
- **FLHTKL** Electra Glide Ultra Limited Low
- **FLHTC** Electra Glide Classic
- **FLHTCU** Electra Glide Ultra Classic
- **FLHTCUL** Electra Glide Ultra Classic Low

These instructions are a model specific add-on to the general BoosterPlug installation instructions.

The general BoosterPlug installation instructions can be found in the "Downloads" section on the BoosterPlug.com website:

<http://www.boosterplug.com/shop/cms-downloads.html>

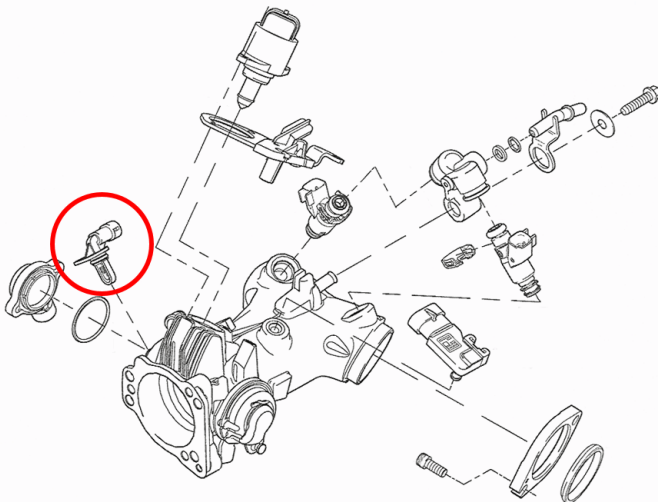
## Installation Tips

- Install the BoosterPlug module as per the general installation papers.
- The picture below should help you locate the AIT sensor where the BoosterPlug is installed.
  - The AIT sensor is found in the throttle valve body between the cylinder heads.
  - Remove the air filter assembly to get access to the AIT sensor.
- You have several choices for the BoosterPlug sensor location, but our favorite place is near the steering head or under the head light.
  - Just stick to the simple rules in the general installation instructions for placing the external sensor, and you'll be fine.

## Pictures

For:

- All 2007 models.



For:

- All models from 2008 to 2016.

